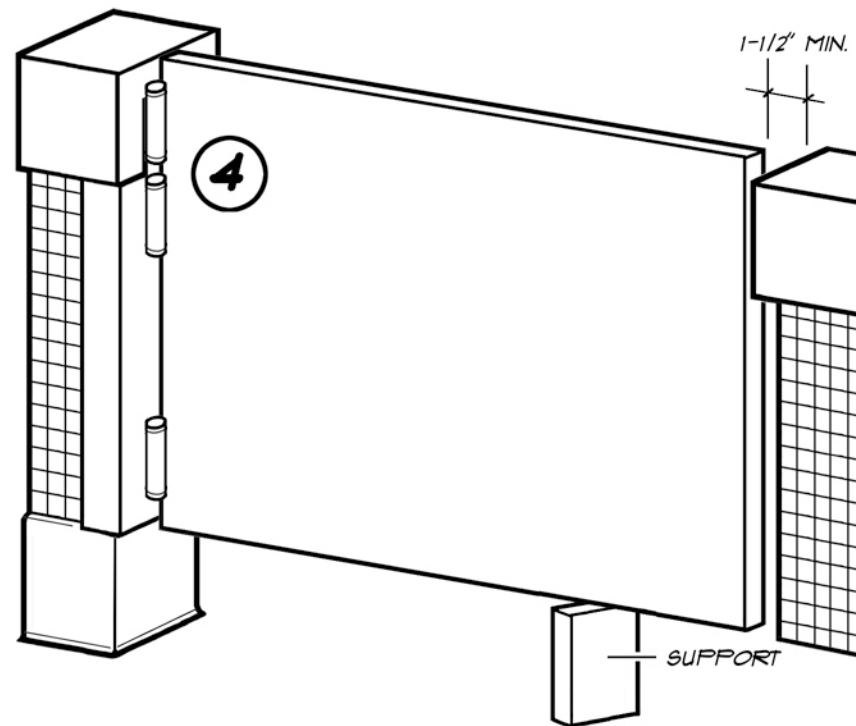
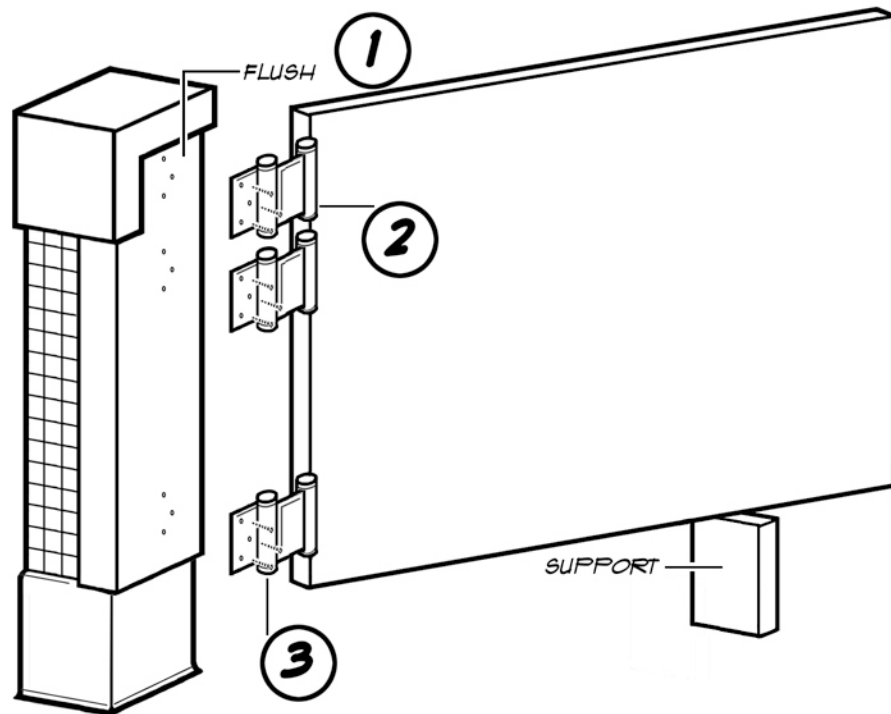


**MAKE SURE:** THE LAMINATED PANEL IS ON THE EMPLOYEE SIDE.

- ① USE LAG BOLTS TO ATTACH **STUD 1** TO WALL (MAKE SURE WALL HAS BACKING)
- ② ATTACH **STUD 2** TO **STUD 1**
- ③ ATTACH **SIDE PANEL** TO FRAME
- ④ ATTACH **WALL FACE** TO FRAME
- ⑤ USE SILICONE TO INSTALL THE **SOLID SURFACE TOP** TO LOW WALL



- ① MAKE SURE SOLID SURFACE TOP IS INSTALLED FLUSH WITH FACE
- ② ATTACH THE HINGES TO DOOR
- ③ SUPPORT DOOR ON END THEN ATTACH IT TO LOW WALL
- ④ PUT THE DOOR IN PLACE THEN ADJUST THE SPRINGS TO RIGHT TENSION. REFER TO **SD HINGE MANUFACTURER'S INSTALLATION INSTRUCTIONS**